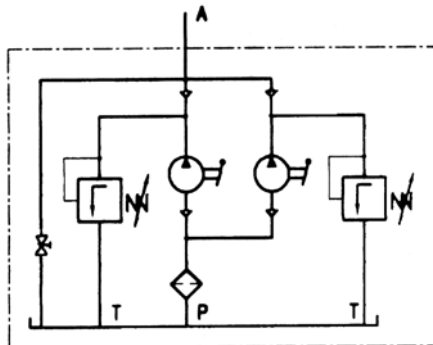
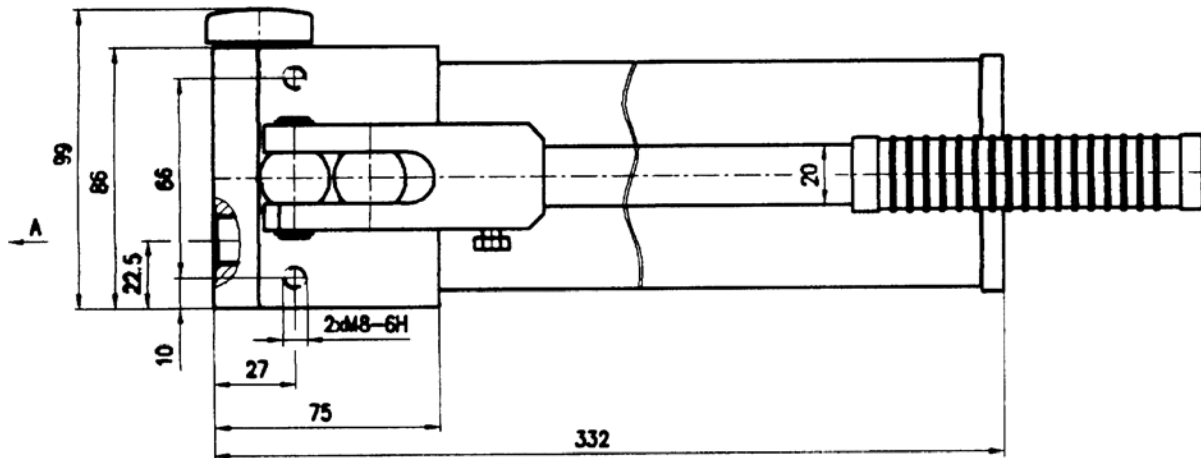
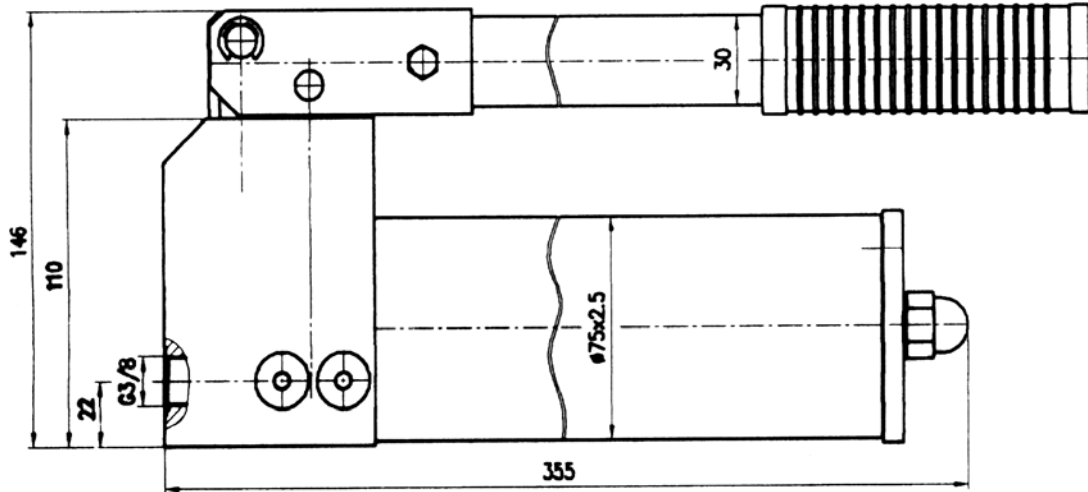




## HAND PUMPS MPG700

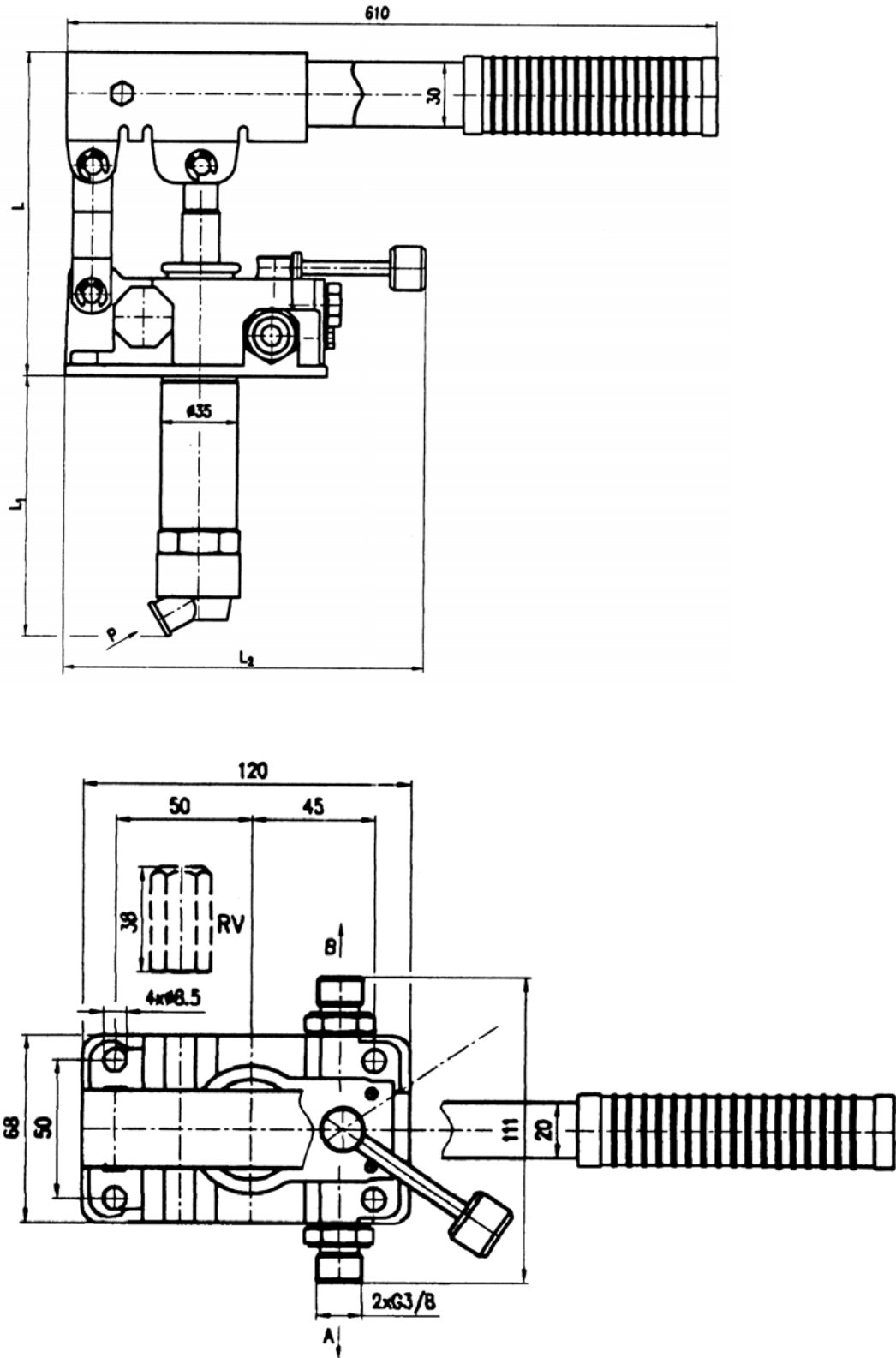


TYPE	Pressure max (bar)	Vol (cm <sup>3</sup> )
MPG 700	700	14



## HAND PUMPS MPC...

Suitable for oil tank

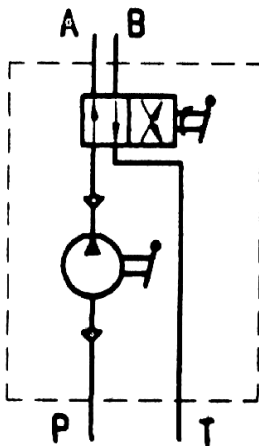




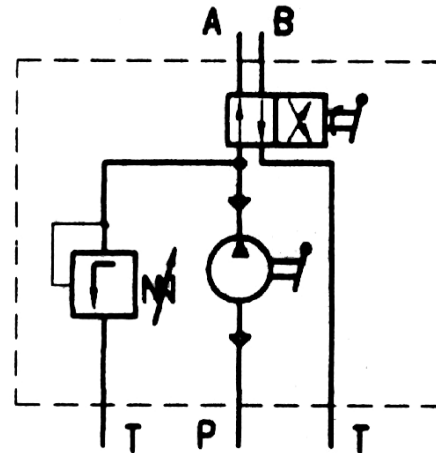
## HAND PUMPS MPC...

Suitable for oil tank

MPC



MPC ... + RV



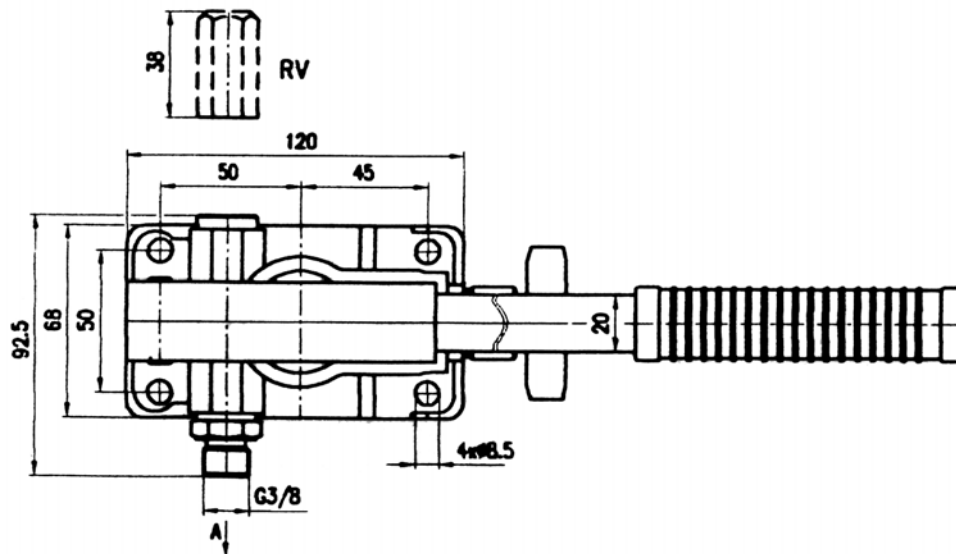
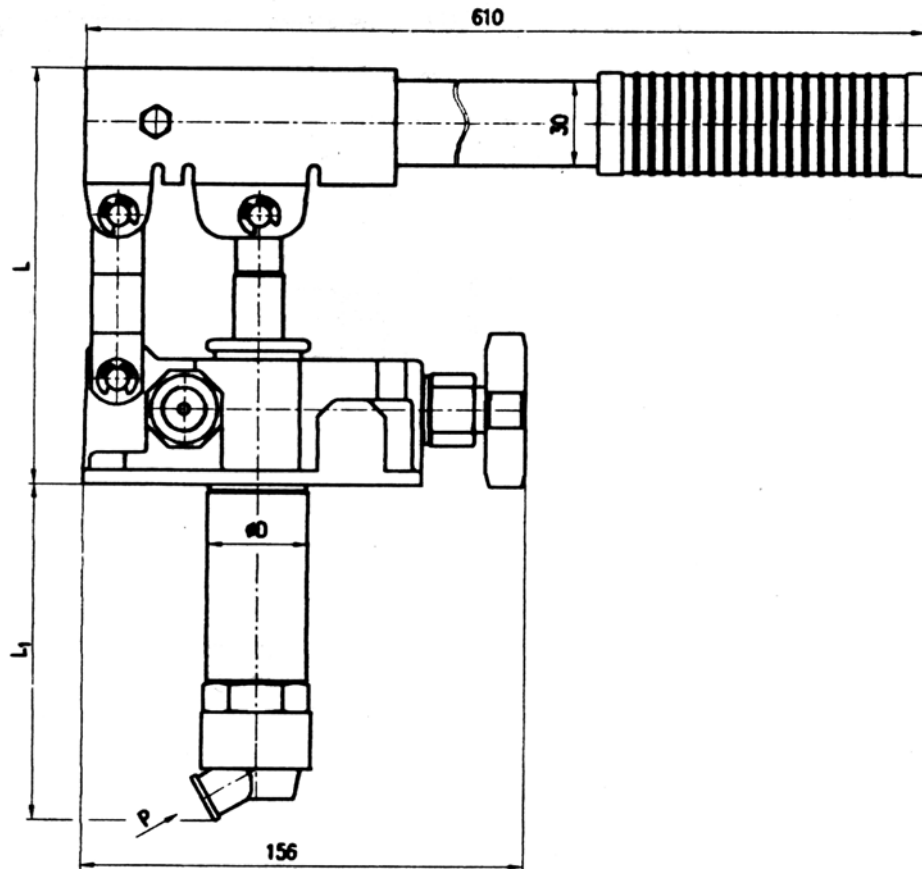
TYPE	Pressure max bar	Vol cm <sup>3</sup>	L mm	L1 mm	L2 mm	D mm	Weight kg
MPC 12	380	12	147	120	165	30	3.6
MPC 25	350	25	147	120	165	35	3.9
MPC 45	280	45	167	128	167	40	4.4
MPC 12 + RV	380	12	147	120	165	30	3.7
MPC 25 + RV	350	25	147	120	165	35	4.0
MPC 45 + RV	280	45	167	128	167	40	4.5

\* RV – set pressure at 100 bar. Other settings will also be available upon particular request.



## HAND PUMPS MPA ...

Suitable for oil tank

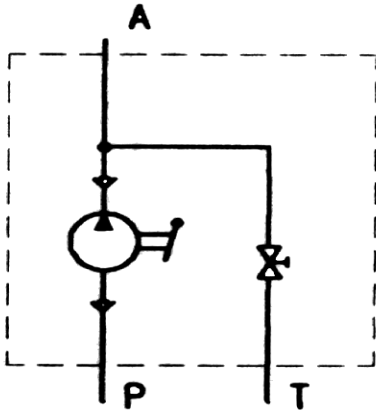




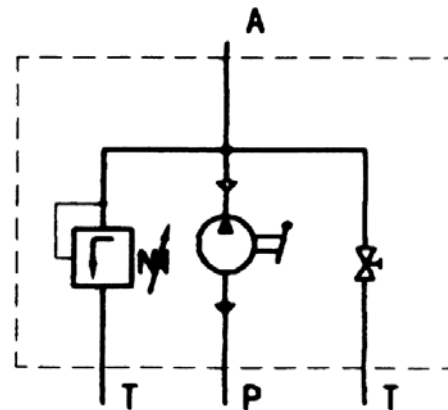
## HAND PUMPS MPA ...

Suitable for oil tank

MPA



MPA ... + RV

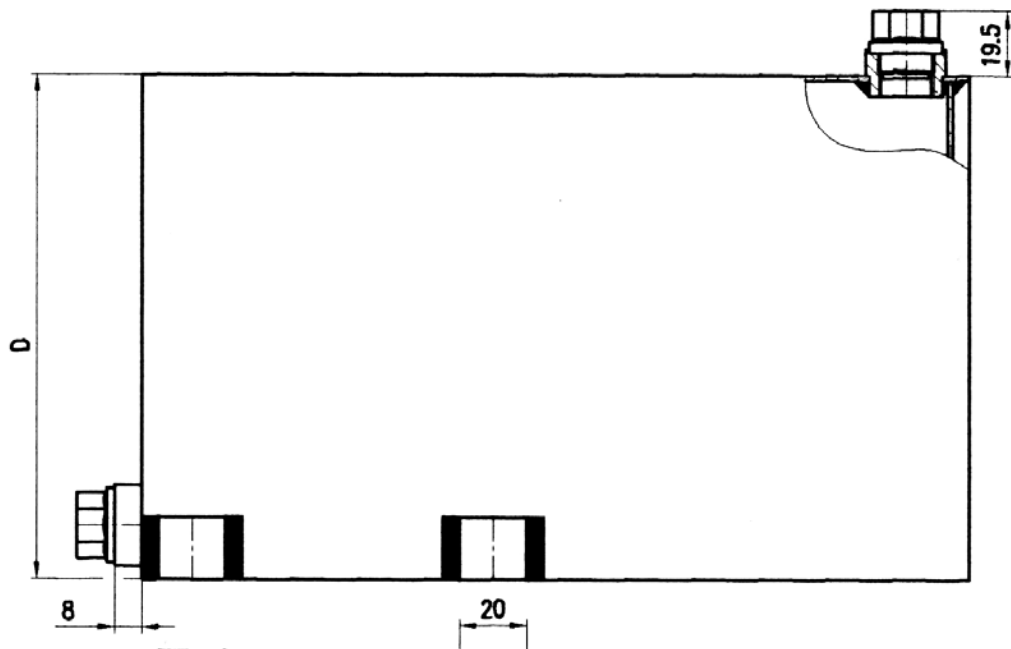
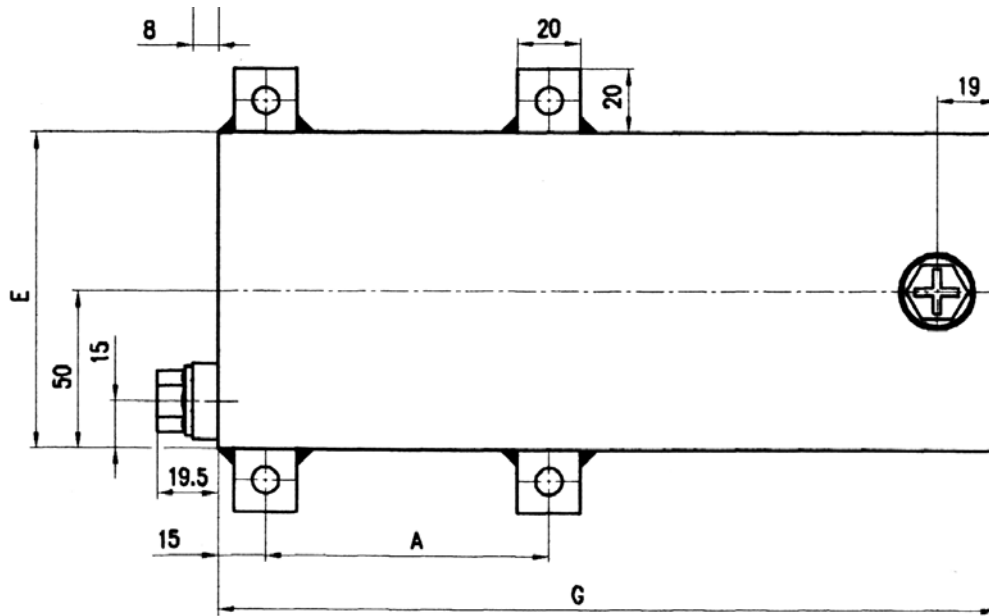


TYPE	Pressure max bar	Vol cm <sup>3</sup>	L mm	L1 mm	D mm	Weight kg
MPA 12	380	12	147	120	30	3.4
MPA 25	350	25	147	120	35	3.7
MPA 45	280	45	167	128	40	4.2
MPA 12 + RV	380	12	147	120	30	3.5
MPA 25 + RV	350	25	147	120	35	3.8
MPA 45 + RV	280	45	167	128	40	4.3

\* RV – set pressure at 100 bar. Other settings will also be available upon particular request.

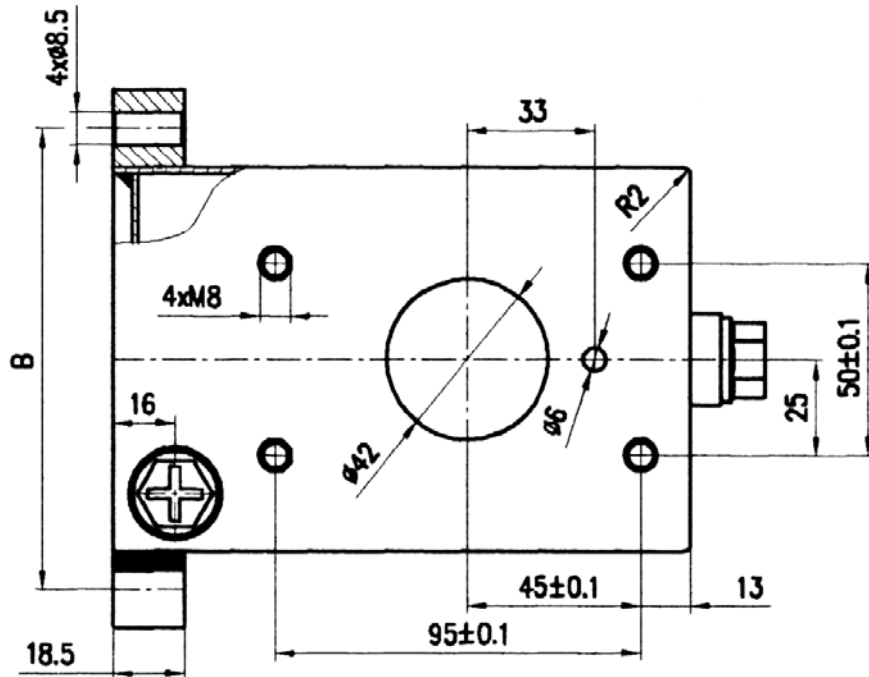


## OIL TANKS for HAND PUMP TYPE TMP ...





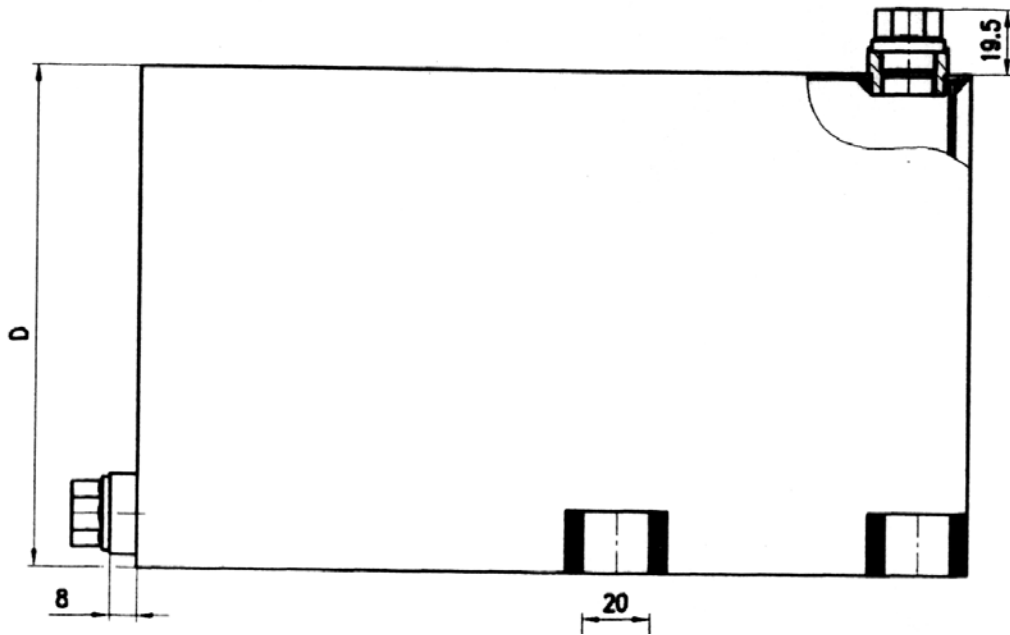
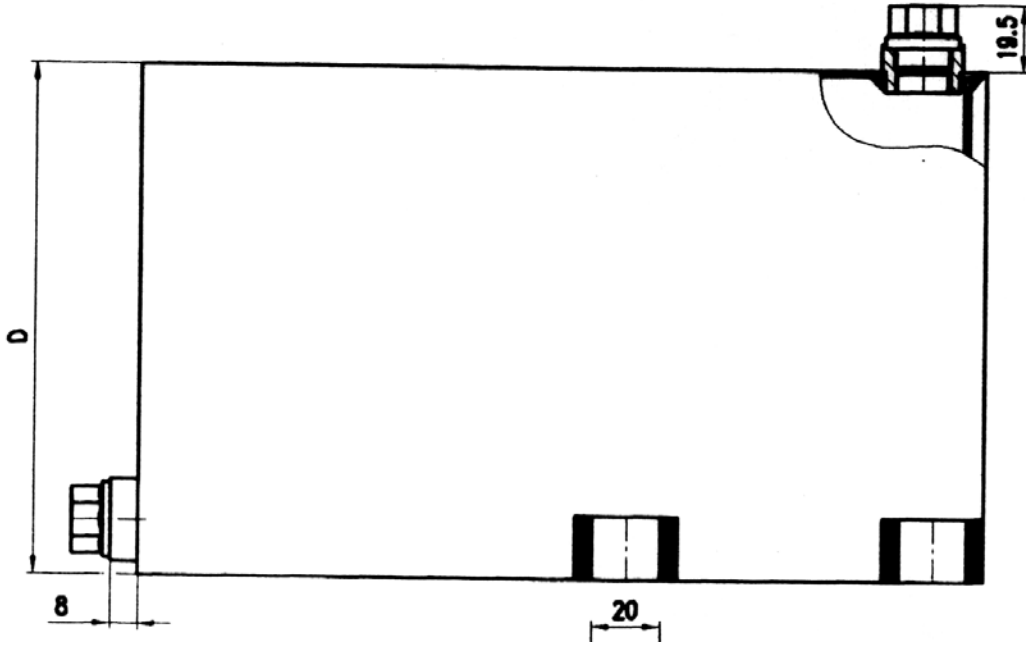
## OIL TANKS for HAND PUMP TYPE TMP ...



Type	Tank volume	A mm	B mm	D mm	E mm	G mm	weight
	L						kg
TMP 01	1	90	120	150	100	120	2
TMP 02	2						2.2
TMP 03	3						2.5
TMP 05	5	90	195	175	175	200	4.5
TMP 07	7						5.4
TMP 10	10						6.8

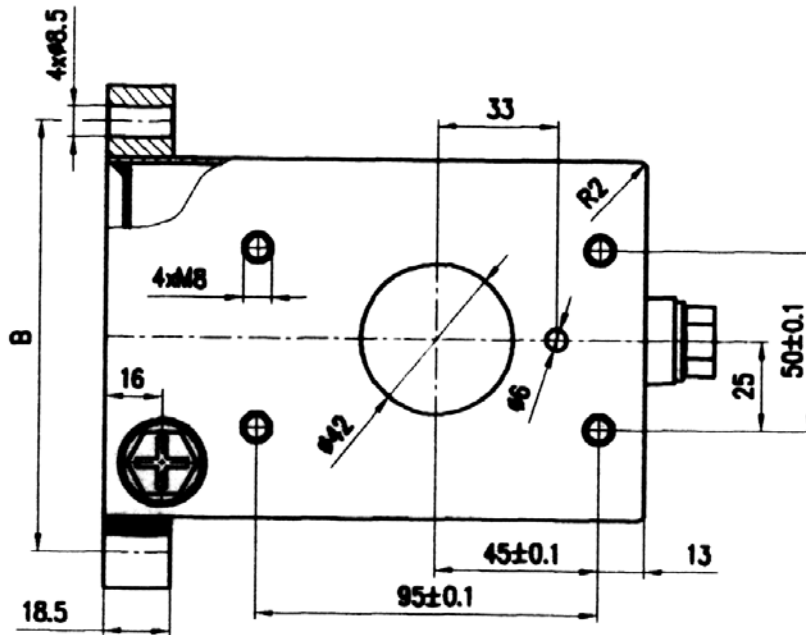


## OIL TANKS for HAND PUMP TYPE TMP ...- SP





## OIL TANKS for HAND PUMP TYPE TMP ...- SP



Type	Tank volume	A	B	D	E	G	weight
	L						mm
TMP 01-SP	1	90	120	150	100	120	2
TMP 02-SP	2					180	2.2
TMP 03-SP	3					247	2.5
TMP 05-SP	5	90	195	175	175	200	4.5
TMP 07-SP	7					269	5.4
TMP 10-SP	10					376	6.8